

Floor Drains With Stainless Steel Strainers

FD-1100-M Floor Drain with Square Stainless Steel Strainers



Model Number	Weight (lbs.)	Str. Size	Pipe Size	Strainer	List Price
FD-1102,3,4-M5	11	5"x5"	2,3,4"	stainless steel	\$766.00
FD-1102,3,4-M6	12.5	6"x6"	2,3,4"	stainless steel	834.00
FD-1102,3,4-M8	16	8"x8"	2,3,4"	stainless steel	1,162.00

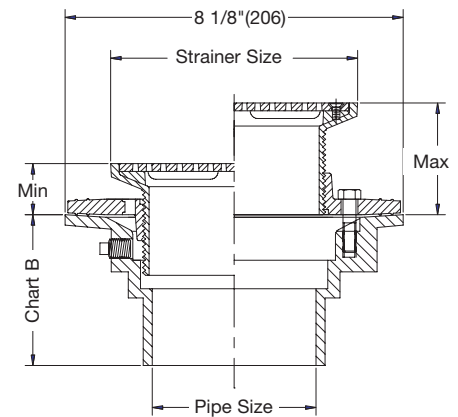
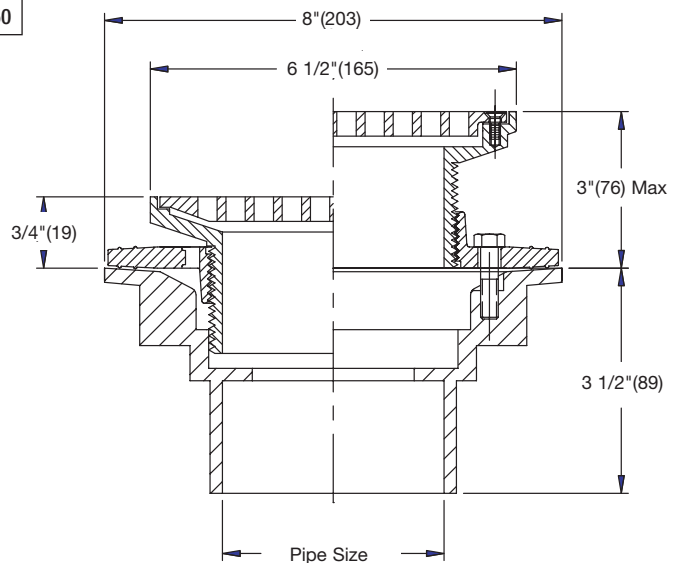


Chart A		
Strainer	Min.	Max.
5"x5"	7/8"	3 1/4"
6"x6"	1"	3 1/4"
8"x8"	1 3/8"	3 5/8"

Chart B					
Pipe Size	No Hub	Push On	Female Thread	Inside Caulk	PVC/ABS
2"	3 5/8"	4 1/4"	4 1/4"	4 1/2"	4"
3"	3 5/8"	4 1/4"	4 1/4"	4 1/2"	4"
4"	3 5/8"	4 1/4"	4 1/4"	4 1/2"	4"
6"	3 1/2"	-	-	-	-

FD-1160 Chemical Resistant Floor Drain

Model Number	Weight (lbs.)	Str. Size	Pipe Size	Strainer	List Price
FD-1162,3,4	6	6 1/2"	2,3,4"	PVC	\$444.50



Note: Funnels are ordered separately.
See page 63 for details.

Options for FD-1160 Series:

Suffix	Description	List Price
-5	Sediment Bucket	\$108.00
-6	Vandal Proof	54.50
-7	Trap Primer Tapping	No Add
-F4-1	4" Round Nickel Bronze Funnel	428.00
-F6-1	6" Round Nickel Bronze Funnel	625.50
-G-1	4x9" Oval Nickel Bronze Funnel	872.00

Consult factory for all applications outside of listed parameters.
Prices do not include applicable taxes.

